

Installation & Operation Instructions

Aluminum Folding Stairways

Husky 800 & Husky 1200

IMPORTANT-Read This First

Before installing your new Disappearing Stairway, contact your local Building Code Office to insure this product meets your local building codes. Please read and understand the following:

1. This product is designed **for residential use only.** Failure to read and follow all directions, installation and/or usage, could result in serious personal or property damage. Installations that produce heavy usage or above normal stresses on this stair are not recommended. "See suggested weight capacity chart below." Simple carpentry skills are required to install this stair, seek professional help if you do not possess these skills.

2. After removing from carton, inspect stairway for damage, such as broken or split wood parts, or missing parts. If these are observed, return unit to your supplier for exchange.

3. Do not disassemble stair to install. . . it is completely assembled.

4. Make certain you read and follow all the installation instructions and warning labels, as these are designed to assist you in making a safe installation, extend the life of the stair and prevent personal injury.

5. Only use 16d nails or 1/4 x 3" lag screws through the spring arm pivot plates, the corner brackets at the main header hinge, the opposite frame member and both side lengths of frame. Holes are provided to secure stair in ceiling joists with the feet of the bottom section adjusted properly according to factory instructions. **The use of sheet rock screws, deck screws, or finish nails are prohibited, which can cause the stairway to suddenly fall from the opening possibly causing serious bodily injury.**

6. The Husky aluminum models are manufactured for ceiling heights of 8'9", 10' and 12'. The bottom section has to be adjusted to fit the floor. Be sure to select the proper unit for your ceiling height.

7. After adjusting the bottom section to fit the floor, have someone stand on the second or third step from the bottom and inspect the side rails to make certain there are no gaps between the hinged sections. All three sections should form a straight line. (See Figures 8 - 10 for correct stair alignment.)

8. The coil springs at the top of the stair are under extreme pressure and should never be removed unless absolutely necessary, and then with extreme caution in removing and replacing spring; do this with the stair in the closed position, as there is less tension on the springs. During life of stair, periodic checks should be made of all wood and metal parts for wear and possible tightening. Spring arms, section hinges and all riveted metal joints should be lubricated periodically for easier operation and longer life. If for any reason any of the wood, metal, or other components of the stairway show signs of excessive wear or looseness, they should be replaced.

9. Face the stair when going up or down – use handrail at all times. Close when you are through using it.

Caution: handrail is for maintaining user's balance only and is not load bearing. Failure to return stairway sections back to their full closed position before closing door panel may result in damage to stairway and/or severe personal injury. Do not use the pull cord to swing the door panel upward when closing. Do not leave stair unattended when children are present. Persons with limiting abilities, such as muscular or nerve impairment, weak bones or joints, or other limiting abnormalities should not climb or use this product.

10. Due to the distance between the operator's personal height and the room's ceiling height and the weight of the stairway, it is possible that some persons may experience difficulty in raising and lowering the attic stairway. It is recommended that all persons obtain assistance from another person in stairway raising and lowering activities so any such difficulty is safely remedied.

11. Do not use the stair if it is damaged in any way. Any damage, gaps or defections should be corrected.

(Consult factory or local dealer for replacement parts or unit). Failure to follow instruction or warnings can lead to sudden stairway collapse and severe personal injury.

Suggested weight capacity: 350lbs.

Keep all nuts & bolts tight!!! For residential use only!!!

Before You Install

To make sure you receive the best performance from your stairway, please take a few moments to familiarize yourself with all of the parts and guidelines. Seek professional help if not experienced in carpentry. Example: An experienced finish carpenter with good help should easily install the door jamb and stairs and adjust for operation in four hours or less. Time is directly dependent on skill and the understanding of these instructions. This is a stairway; taking your time and working safely helps prevent accidents.

Stairway Location

Locate your stairway in an attic area which is strong enough for walking and working on and has adequate headroom. **Avoid contact with electrical wiring during all phases of installation.**

Check Model Size And Dimensions

Refer to Figure 1 and Table 1 below to make sure the size of your specific model fits within the specified measurements. Make sure of the correct size of the rough opening for your specific model. Measure to be sure there is enough clearance for the stair as it is unfolded to its full length (Projection) and that there is enough space at the bottom of the stairway for a safe landing area.

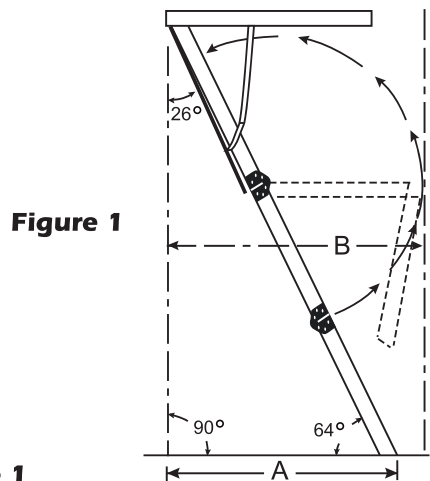


Figure 1

Table 1

Rough Opening	Ceiling Height	# of Treads	A Landing Space*	B Projection
22 x 54	8'9"	11	58"	66"
22 x 54	10'	13	65"	79"
22 x 60	9'3"	11	61"	72"
22 x 60	10'8"	13	70"	80"
25.5 x 54	8'9"	11	58"	66"
25.5 x 54	10'	13	65"	79"
25.5 x 60	9'3"	11	61"	72"
25.5 x 60	10'8"	13	70"	80"
30 x 54	8'9"	11	59"	66"
30 x 54	10'	13	66"	79"
30 x 60	9'3"	11	62"	72"
30 x 60	10'8"	13	70"	80"

*It is recommended adding 18" to landing space dimensions for safe ascent or descent of the stairway.

Required Manpower: 3

Required Equipment: Two 6ft step-ladders, electric/cordless drill, 5/32" or 11/64" drill bit, 1/2" socket and driver, 2x4 lumber pre-cut to length of floor to ceiling height for use as support braces ("T" Stands).

Step 1- Cut the rough opening through the ceiling material to the dimensions of the stair size (See Table 1). The rough opening size is approximately 1/4" wider and longer than the actual size of the stairway. This allows room to properly shim and square the stairway. It also keeps the stair close enough to the frame so that any open space can be sealed with caulk.

Step 2- Frame the rough opening. Using joist-size material (a minimum of 2 x 6) and 10d common nails, build a four-sided frame to install the stairway. Keep corners square to simplify installation. Use standard carpentry practices when building rough opening and check your local building code for correct configurations.

Installation parallel to existing joists normally requires a frame with single headers. (See Fig. 2)

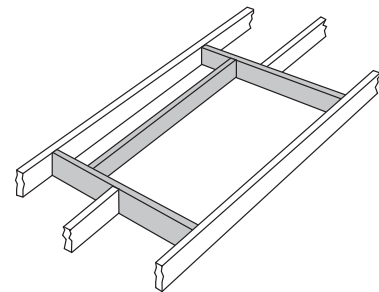


Fig. 2

Installation perpendicular to the existing joists requires a frame with double headers (See Fig. 3). If joists must be cut, stabilize them by nailing 2 joist-size boards perpendicular to the ceiling joists before cutting. The double joist sections must be long enough to be supported by a load bearing wall at both ends.

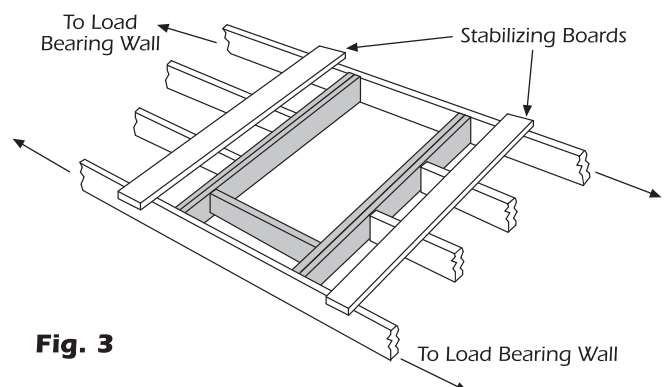


Fig. 3

Step 3- Place two stepladders directly under rough opening with steps facing out on both ladders. Place two "T" stands inside of stepladders. NOTE: Sheet rock jacks can be used in the place of "T" stands. (See Fig. 4)

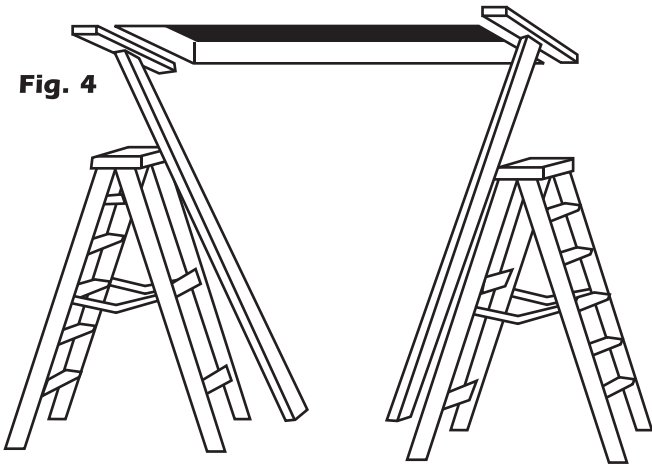


Fig. 4

Step 4- Run a 1/4" - 1/2" bead of caulk (enclosed) around the header end of the stair (end with hinge) from the break in the insulation on one side to the break in the insulation on the other side. Bead should be situated where the horizontal meets the vertical. (See Fig. 5)

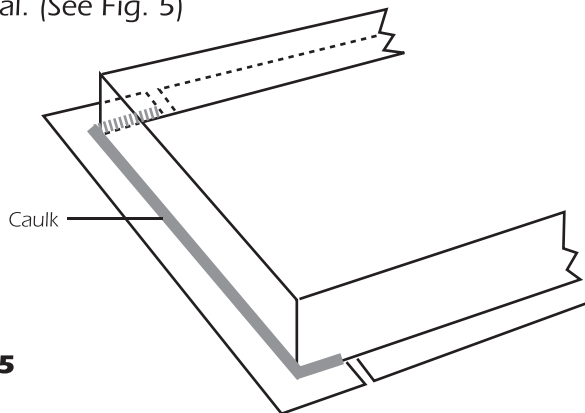


Fig. 5

Step 5- With a helper in the attic, carefully place the stairway onto the top of the stepladders. Have the two ground installers raise the stairway into the rough opening. Secure the door panel tightly against the ceiling with the "T" stands. (See Fig. 6)

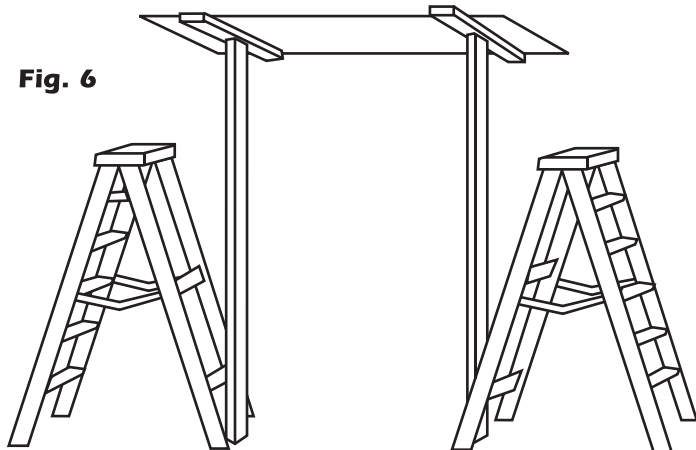


Fig. 6

Step 6- The worker in the attic must make sure the stairway is square, level and firmly situated in the rough opening with equal spacing all around (no more than 1/4"). Blocks of wood or plywood can be used as shims to make any necessary adjustments. Place shims behind pre-drilled installation holes.

Step 7- Stairway must be secured from above while door is closed and braced firmly against ceiling. Permanently mount the stairway using 1/4 x 2" lag screws that are provided. Using a 1/8" drill bit, drill pilot holes into the jamb through the pre-drilled holes in the frame. Some holes may not be accessible yet because of the closed stairway.

First secure the header end to the jamb (end with the piano hinge – holes 1 & 2). Then secure the well end (hole 3). Utilizing pre-drilled holes provided in frame, continue to secure as many holes as possible before opening door panel. (See Fig. 7 for location of pre-drilled holes in frame.)

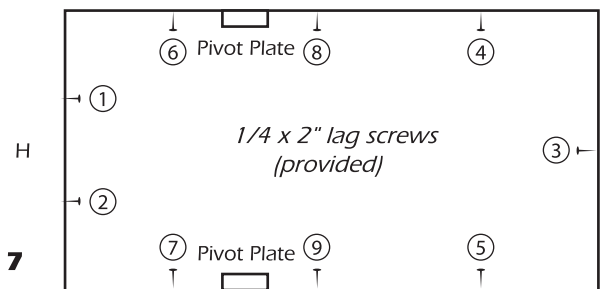


Fig. 7

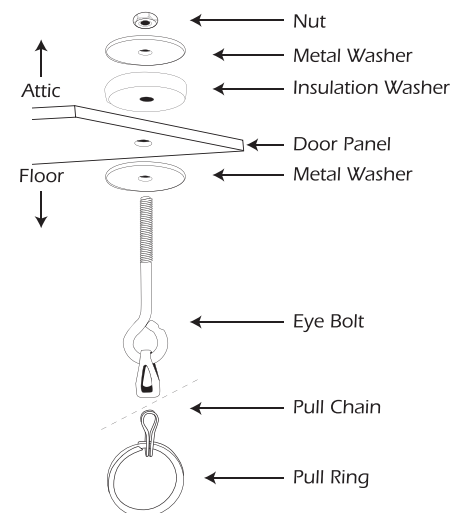
Step 8- Remove "T" stands and then carefully open the stairway from below and lower the stair sections.

CAUTION: Do not stand on the stairway at this time.

Make sure the stairway is still square, level and firmly situated in the rough opening with equal spacing. Complete permanent attachment with lag screws in the remaining pre-drilled installation holes.

Step 9- Pull Chain Installation.

WARNING: For maximum fire resistance, Insulation Washer must be placed on attic side of door panel.



Adjust Stairway To Ceiling Height

Trim the stairs only after the floor beneath the stairway is finished. Adding or removing carpet or other flooring material will change the measurements for the length of the stairway.

Step 9- Fully extend the folding section of the stairway. Fold the bottom section of the stairway under the middle section, so that the top and middle sections form a straight line (See Fig. 8). Apply pressure on the stairs to ensure the spring arms are fully extended.

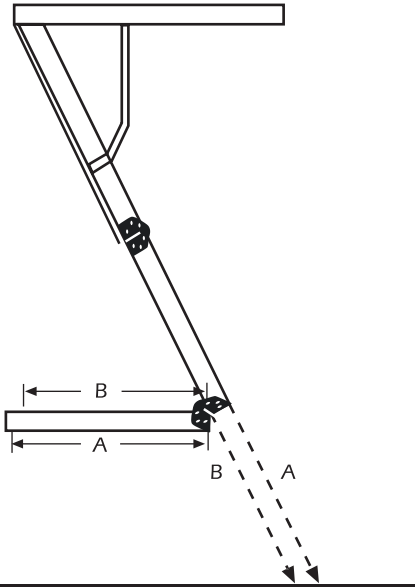


Fig. 8

Step 10- Place a straight edge on top of the middle section and slide it down until it contacts the floor. Measure the distance from the end of the middle section to the floor (A in Fig. 8). Mark the distance on the A side (front) of the bottom stringer.

Step 11- Place a straight edge on the bottom of the middle section and slide it down until it contacts the floor. Measure the distance from the end of the middle section to the floor (B in Fig. 8). Mark the distance on the B side (back) of the bottom stringer. It is possible for the landing area to be uneven, so repeat this procedure on the other stringer.

Step 12- Draw a straight line between the points. Cut each bottom stringer to the proper length, along the lines drawn. The bottom section of the stairs should fit flush with the floor on both sides after cutting. (See Fig. 9)

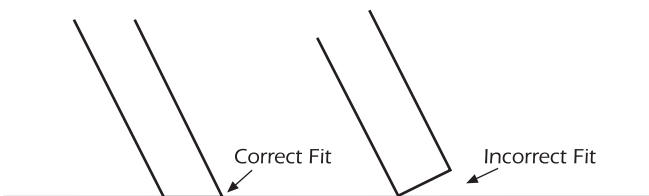


Fig. 9

Step 13- Check to make sure of proper length. Standing on second step of the bottom section, the stairs should fit flush with the floor and all joints should be tight with no gaps (Fig. 10). If the stairs are too long (Fig. 11), trim them again. If the stairs are too short (Fig. 12), do not use them. The bottom section will have to be replaced. Contact your vendor or Bessler Stairway Company.

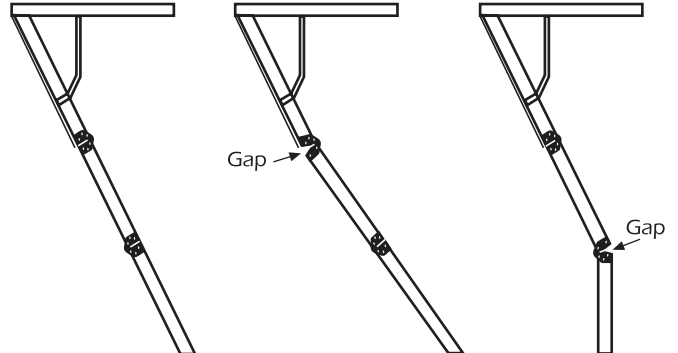


Fig. 10 - Correct Fig. 11 - Too Long Fig. 12 - Too Short

CAUTION: Do not use the stairway unless the stairs fit flush with the floor, and the joints are tight with no gaps. Failure to cut properly could cause undue stress on the stairway and could result in personal injury.

If final/additional flooring (carpet, vinyl, etc.) is installed after stairway is installed, length adjustment will be necessary. Repeat Steps 8 – 12.

Sealing The Opening

Step 14- Walk up the stairs; and using the remaining caulk, seal the opening between the stairway frame and the rough opening. (See Fig. 13) Gap should not exceed 1/4".

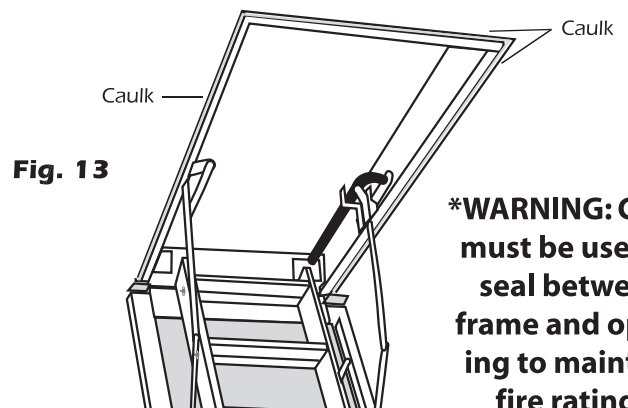


Fig. 13

***WARNING: Caulk must be used to seal between frame and opening to maintain fire rating.**

B **BESSLER STAIRWAY COMPANY**
A Division of ASI
3807 Lamar Ave. ■ Memphis, TN 38118
901-795-9200 ■ Fax 901-795-1253
www.bessler.com

Instrucciones de Instalación y Operación

Escaleras Plegables de Aluminio

Modelos de Husky 800 & 1200

IMPORTANTE— LEA ESTO PRIMERO

Antes de instalar su nueva Escalera Plegable, póngase en contacto con su Oficina de Códigos de Construcción local (Building Code Office) para asegurarse que este producto satisface sus códigos locales. Favor de leer y entender lo siguiente:

- 1.** Este producto es diseñado **para uso residencial solamente.** El dejar de leer y seguir todas instrucciones de instalación y / o su uso, puede resultar en daño serio personal o de su propiedad. No se recomiendan las instalaciones que produzcan uso considerable de esta escalera o estrés fuera de lo normal. "Vea la grafica de la capacidad de peso sugerida." Se requiere que tenga habilidades sencillas de carpintería para instalar esta escalera. Busque ayuda profesional si usted no tiene estas habilidades.
 - 2.** Después de remover la escalera de la caja de cartón, revísela para distinguir daño tal como madera rota o rajada, o partes no incluidas. Si usted observa esto, devuelva la unidad a su suministrador para un cambio.
 - 3.** No desarme la escalera para instalarla....Ya está completamente armada.
 - 4.** Asegúrese que usted lea y siga todas las instrucciones de instalación y etiquetas de advertencia porque son diseñadas para ayudarle a completar una instalación segura, extender la vida de la escalera, y prevenir daño personal.
 - 5.** Sólo use clavos 16d o tornillos de tuerca (1/ 4 x 3) a través de la lámina pivote con muelle, el brazo de resorte, los codos de refuerzo y a la bisagra del encabezado principal, al marco opuesto, y ambas larguras del marco. Le proveemos los huecos para asegurar la escalera en las vigas del techo cuando los pies de la escalera son ajustados propiamente según las instrucciones de la fábrica. **El uso de los tornillos de contrachapado, clavos de madera, o puntillas de acabado es prohibido; pueden causar la caída repentina de la apertura, posiblemente causando heridas corporales.**
 - 6.** Los modelos de aluminio de Husky son fabricados para alturas del techo de 8' 9", 10' y 12'. La sección del fondo tiene que ser ajustada para caber con el piso. Asegurase que ha seleccionado la unidad propia para la altura de su techo.
 - 7.** Después de ajustar la sección del fondo para caber con el suelo, ponga otra persona en el segundo o tercer escalón del fondo y revise las barandas del lado para estar seguro que no hay aberturas entre las secciones con bisagras. Todas tres secciones deben formar una línea recta cuando la escalera esté totalmente abierta y extendida. (Vea la Figura 9 para ver la alienación correcta de la escalera)
 - 8.** Los resortes en la parte más superior de la escalera están bajo presión extrema y nunca deben ser removidos a menos que sea absolutamente necesario, y aun entonces con precaución extrema al remover y reemplazar el resorte. Haga esto cuando la escalera está en la posición cerrada cuando hay menos tensión en los resortes. Durante la vida de la escalera, debe de inspeccionar regularmente todas las partes de madera y metal para descubrir desgaste y soltura posible. Los brazos con muelles, las secciones con bisagras, y todas las juntas remachadas de metal, deber ser lubricados periódicamente para su más fácil operación y largo uso. Si por cualquier razón cualquier parte de la madera, metal, u otros componentes de la escalera demuestran señales del desgaste exagerado o soltura, deben ser reemplazados.
 - 9.** Enfréntese a la escalera cuando usted suba y baje –use el pasamano cada vez. Cierre la escalera cuando termine usándola.
 - Cuidado:** El pasamano es sólo para mantener la balanza del consumidor y no es para soporte de carga. El no devolver las secciones de la escalera a sus posiciones cerradas y completas antes de cerrar el panel de la puerta puede resultar en daño a la escalera y / o heridas personales y severas. No tire del cordón para columpiar la puerta hacia arriba al cerrarla. No deje desatendida la escalera cuando los niños están presentes. Las personas con habilidades limitadas, tal como deterioro de músculos o nervios, huesos o articulaciones débiles u otras anomalías que imitan, no deben de subirse o usar este producto.
 - 10.** Debido a la distancia entre la altura personal del operador, la altura del techo del cuarto y el peso de la escalera, es posible que algunas personas puedan sentir dificultad al levantar y bajar la escalera del desván. Es recomendado que esas personas obtengan ayuda de otra persona al levantar y bajar la escalera para que tal dificultad se remedie sin riesgos.
 - 11.** No use la escalera si está dañada en cualquier manera. Cualquier daño, aberturas, o defectos deben ser corregidos.
- (Consulte la fábrica o comerciante local para partes de reemplazo o la unidad entera) El no seguir las instrucciones o advertencias puede causar el colapso repentino y daño personal severo.

Capacidad de peso sugerida: 350 libras.

!!!Mantenga apretadas todas las tuercas y tornillos!!!

!!!Sólo para uso residencial!!!

Antes De Instalar

Para estar seguro que recibirá la mejor ejecución de su escalera, por favor tome unos momentos para familiarizarse con todas las partes y guías incluidas. Busque ayuda profesional si usted no tiene experiencia en carpintería. Por ejemplo: un carpintero hábil con experiencia y ayuda puede instalar fácilmente la jamba y la escalera y además ajustarla, dentro de cuatro horas o menos. El tiempo que toma es directamente relacionado a su habilidad y el entendimiento de estas instrucciones. Esta es una escalera; al tomar su tiempo propio y trabajar sin riesgo, usted ayuda a impedir accidentes.

Ubicación De La Escalera

Coloque su escalera en un área del desván que sea bastante fuerte para caminar y trabajar en ella y tenga espacio adecuado para la altura de paso. **Evite contacto con el tendido eléctrico durante todas las fases de instalación.**

Inspeccione El Tamaño Del Modelo y Sus Dimensiones

Refiérase a la Figura 1 y Tabla 1 abajo para asegurar que el tamaño de su modelo cabe dentro de las medidas específicas. Esté seguro del tamaño correcto de la abertura preliminar que requiere su modelo específico. Mida para estar seguro que hay bastante espacio libre para que la que la escalera se despliegue a su extensión entera (Proyección) y que haiga bastante espacio al fondo de la escalera para una área de aterrizaje segura.

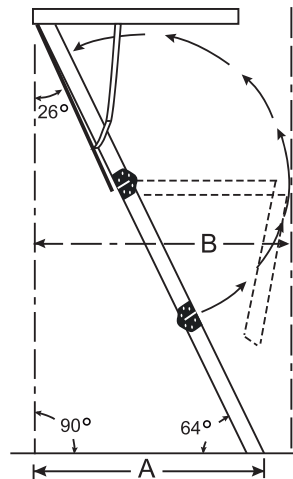


Figura 1

Tabla 1

Abertura preliminar	Altura del techo	Numero de Peldaños	Área de Aterrizaje	Proyección
22 x 54	8'9"	11	58"	66"
22 x 54	10'	13	65"	79"
22 x 60	9'3"	11	61"	72"
22 x 60	10'8"	13	70"	80"
25.5 x 54	8'9"	11	58"	66"
25.5 x 54	10'	13	65"	79"
25.5 x 60	9'3"	11	61"	72"
25.5 x 60	10'8"	13	70"	80"
30 x 54	8'9"	11	59"	66"
30 x 54	10'	13	66"	79"
30 x 60	9'3"	11	62"	72"
30 x 60	10'8"	13	70"	80"

**Se recomienda añadir 18 pulgadas a las dimensiones del área de aterrizaje para la subida o bajada segura de la escalera.*

Mano de Obra Requisito: 3

Equipo Necesario: 2 escaleras de mano de 6 pies, taladro eléctrico/inalámbrico, broca de 5/32" o 11/64", juego de dados/ extensión, madera de 2x4 ya cortada al tamaño de la distancia entre el piso y el techo para poder usar como apoyo.

Etapa 1 - Corte la abertura preliminar en el material del techo al tamaño demostrado abajo en Tabla 1 para su tipo de escalera. El tamaño de la abertura preliminar es aproximadamente 1/4" más amplio y más largo del tamaño actual de la escalera. Esto permite el espacio para propiamente calzar y cuadrar la escalera. También mantiene la escalera bastante cerca al marco para que todo el espacio pueda ser sellado con calafateo.

Etapa 2 - Enmarque la abertura preliminar. Usando material del tamaño de las vigas (un mínimo de 2 x 6) y clavos ordinarios 10d, construya un marco de cuatro lados para instalar la escalera. Mantenga los rincones cuadrados para simplificar la instalación. Use las prácticas estándar de carpintería cuando construya la abertura preliminar y revise sus códigos de construcción locales para obtener las configuraciones correctas.

La instalación paralela a las vigas existentes requiere un marco con encabezadotes singulares. (Vea Figura 2)

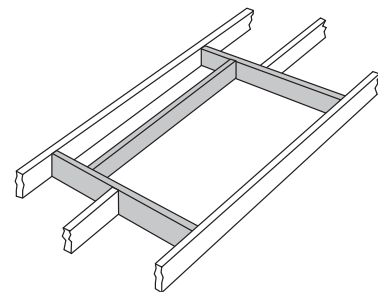


Figura 2

La instalación perpendicular a las vigas existentes requiere un marco con doble encabezadotes. (Vea Figura 3) Si las vigas deben ser cortadas, establézcalas con dos tablas tamaño de las vigas en forma perpendicular, clavándolas a las vigas del techo antes de cortar. Las secciones de doble vigas deben ser bastante largas para ser apoyadas por una pared de soporte a ambos cabos.

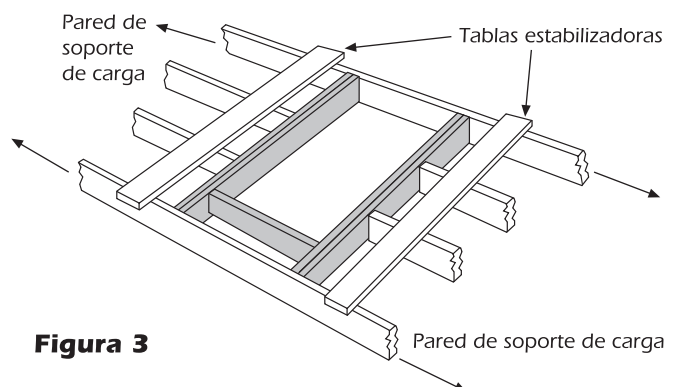


Figura 3

Etapa 3 - Ponga dos escaleras de mano directamente debajo de la abertura preliminar con los peldaños hacia fuera en ambas escaleras. Ponga dos soportes forma T adentro de las escaleras de mano.
NOTA: Gatos de contrachapado pueden ser usados en vez de soportes de T. (Vea Figura 4)

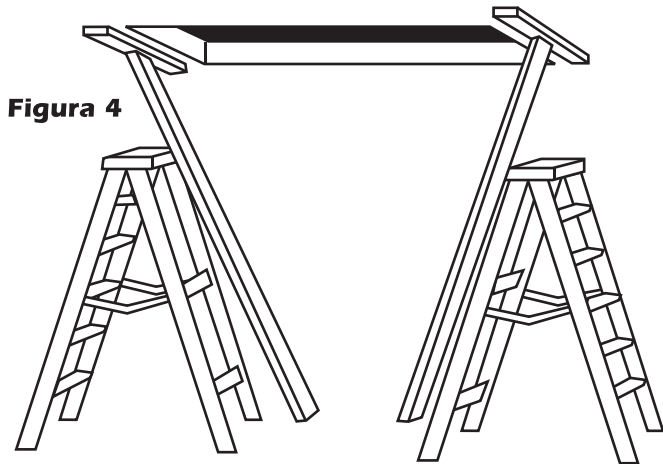


Figura 4

Etapa 4 - Ponga un glóbulo de 1/4" - 1/2" de calafateo (incluido) alrededor del cabo encabezado de la escalera (el cabo con bisagra) del espacio en el aislamiento en un lado, al espacio en el aislamiento del opuesto. El glóbulo debe de ponerse donde lo horizontal se encuentra con lo vertical (Vea Figura 5)

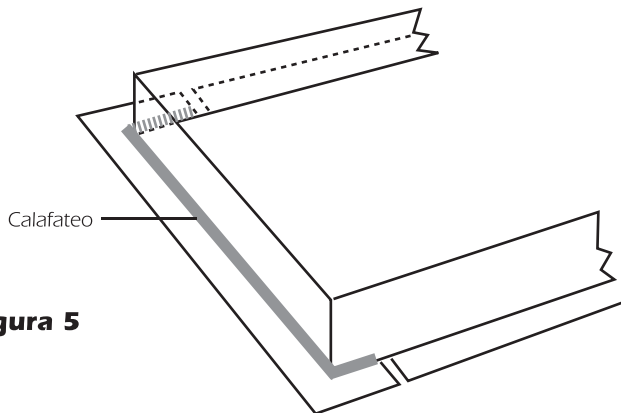


Figura 5

Etapa 5 - Con un asistente en el desván, cuidadosamente eleve la escalera y colóquela arriba de las escaleras de mano. Entonces los instaladores en el fondo elevarán la escalera hasta que quepa en la abertura preliminar. Asegure fuertemente la tabla de la puerta contra el techo con los soportes T. (Vea Figura 6)

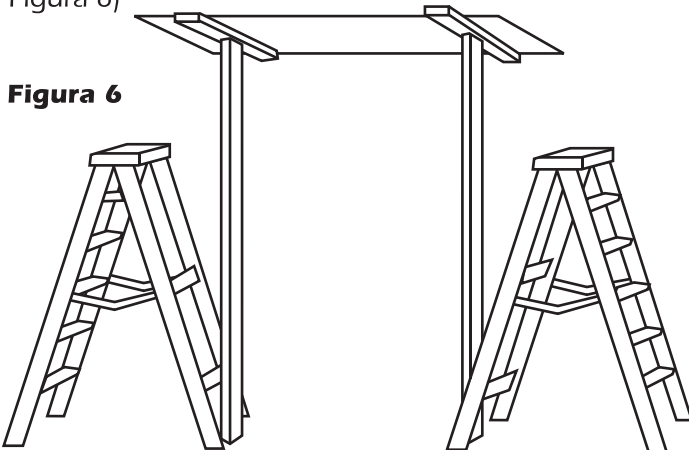


Figura 6

Etapa 6 - El ayudante en el desván debe asegurarse que la escalera está cuadrada, nivelada, y firmemente situada en la abertura preliminar con el mismo espacio todo alrededor (no más de 1/4") Los bloques de madera pueden ser usados como calzas para hacer los ajustes necesarios. Ponga las calzas detrás de los huecos de instalación pre-taladrados.

Etapa 7 - La escalera debe de ser asegurada desde el desván mientras que la puerta está cerrada y firmemente reforzada contra el techo. Enmarque la escalera permanentemente usando los tornillos de tuerca de 1/4 x 2" que son incluidos. Usando una broca de 1/8", taladre huecos en el quicial a través de los huecos pre-taladrados en el marco para usar como guía. Algunos de los huecos quizás no estén accesibles en el momento mientras que la escalera esté cerrada.

Primero, asegure el cabo encabezado al quicial (el cabo con la bisagra de piano - los huecos 1 & 2.) Entonces asegure al lado opuesto (huevo 3.) Utilizando los huecos pre-taladrados en el marco, continúe asegurando tantos huecos como es posible antes de abrir el panel de la puerta. (Vea Figura 7 la localizar los huecos pre-taladrados en el marco.)

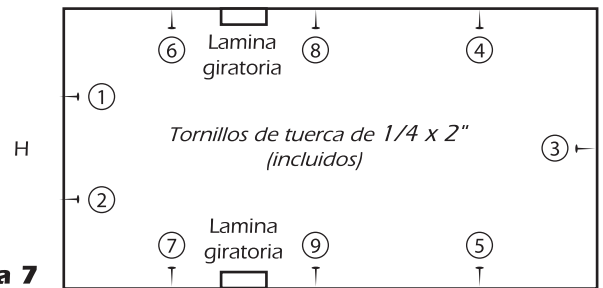


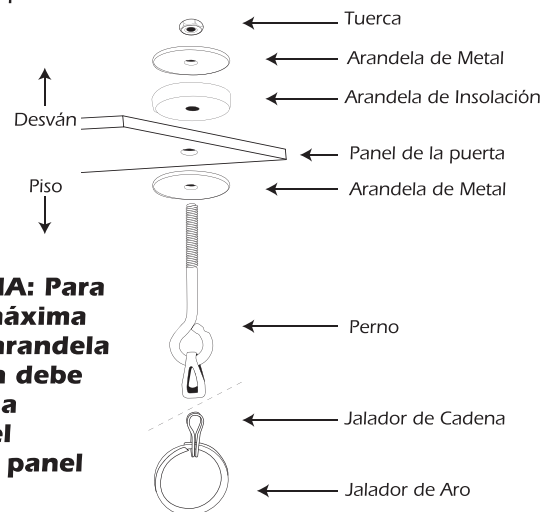
Figura 7

Etapa 8 - Quite los soportes T y cuidadosamente abra la escalera desde abajo y despliegue las secciones de peldaños.

CUIDADO: No se pare en la escalera en este momento.

Asegurase que la escalera todavía está encuadrada, nivelada y firmemente situada en la abertura preliminar con igual espaciamento. Termine la fijación permanente con los tornillos de tuerca en los huecos de instalación pre-taladrados.

Etapa 9 -



ADVERTENCIA: Para resistencia máxima al fuego, la arandela de insulación debe de ser situada en el lado del desván en el panel de la puerta.

Ajuste La Escalera A La Altura del Techo

Azuele la escalera solo después que el piso debajo de la escalera se ha terminado. Añadiendo o removiendo una alfombra u otro material para pisos cambiará las medidas en la longitud de la escalera.

Etapa 10 - Extienda completamente la sección plegable de la escalera. Doble la sección al fondo de la escalera debajo de la sección intermedia para que las secciones de la parte más alta e intermedia formen una línea recta (Vea Figura 8) Ponga presión en la escalera para asegurarse que los brazos de muelles se extiendan completamente.

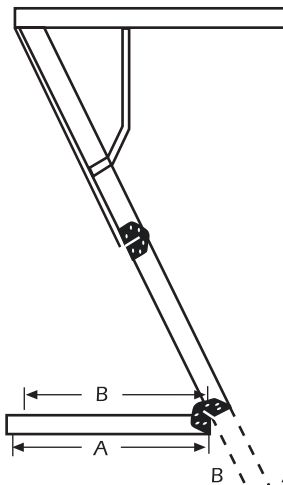


Figura 8

Etapa 11 - Coloque un borde recto en la parte más alta de la sección intermedia y deslícelo abajo hasta que toque el suelo. Mida la distancia del cabo de la sección intermedia al suelo (A en Figura 8) Marque la distancia en el lado A (enfrente) al encordado del fondo.

Etapa 12 - Coloque un borde recto en el fondo de la sección intermedia y deslícelo abajo hasta que toque el suelo. Mida la distancia del cabo de la sección intermedia al suelo (B en Figura 8) Marque la distancia del lado B (atrás) al encordado del fondo. Es posible que el espacio del área de aterrizaje sea desigual, por eso repita este procedimiento en el otro encordado.

Etapa 13 - Dibuje una línea recta entre los puntos. Corte cada encordado del fondo a su propia longitud según las líneas dibujadas. La sección del fondo de la escalera debe caber al nivel con el suelo en ambos lados después de cortar (Vea Figura 9)

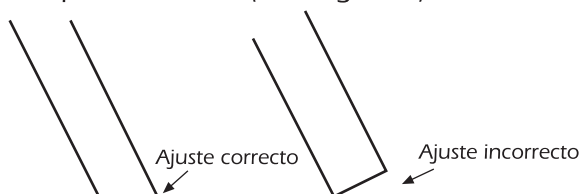


Figura 8

Etapa 14 - Revise para estar seguro de la propia longitud. Levantándose en el segundo escalón de la sección del fondo, la escalera debe caber al nivel con el suelo y todas las juntas deben de estar apretadas sin ninguna abertura. (Fig. 10). Si la escalera es demasiada larga (Fig. 11) azueluella otra vez. Si la escalera es demasiada corta (Fig. 12) no la use; la sección del fondo tendrá que ser reemplazada. Póngase en contacto con su vendedor o Bessler Stairway Company.

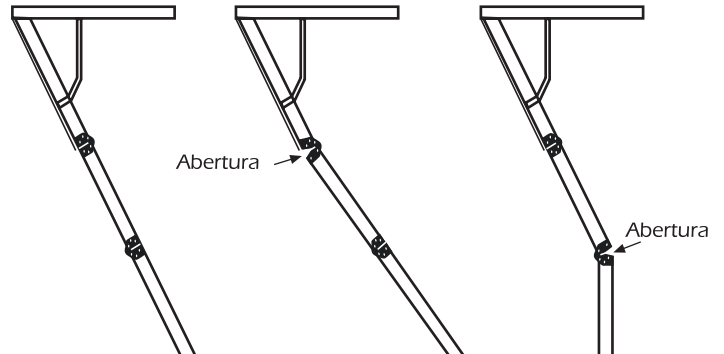


Fig. 10
Correcto

Fig. 11
Demasiado largo

Fig. 12
Demasiado corto

CAUIDADO: No use la escalera a menos que quepa al nivel con el suelo y todas las juntas estén apretadas sin aberturas. No cortarla propiamente puede causar estrés indebido a la escalera y puede resultar en daño personal.

Si material adicional/final para piso (alfombra, vinilo, etc.) se pone después que la escalera sea instalada, será necesario ajustar la longitud. Repita Etapas 8-12.

Sellar La Abertura

Etapa 15 - Suba la escalera y usando el calafateo que queda, selle la abertura entre el marco de la escalera y la abertura preliminar. (Vea Fig. 13) Los huecos no deben de ser más grandes que 1/4".



Figura 13

B **BESSLER STAIRWAY COMPANY**
A Division of ASI
3807 Lamar Ave. ■ Memphis, TN 38118
901-795-9200 ■ Fax 901-795-1253
www.bessler.com